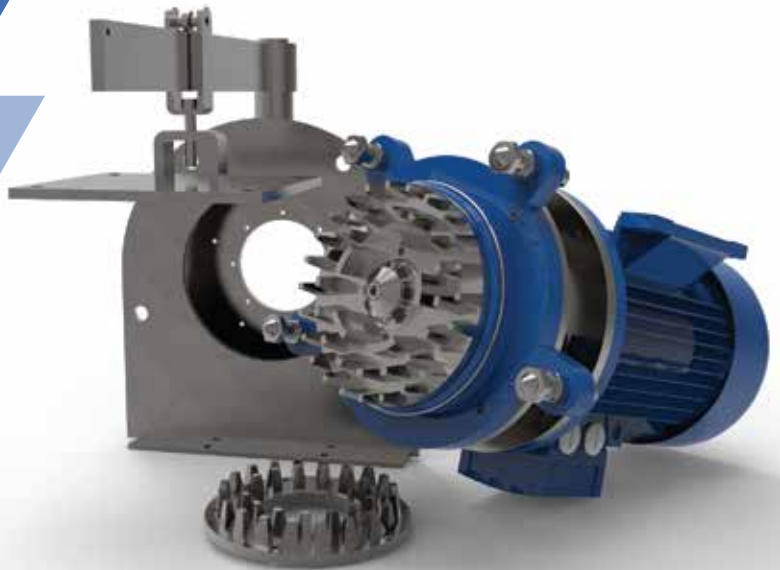




BARIGELLI DECANTER

Plant and Equipment for the Dewatering of Sludge from
Wastewater and Industrial Process Centrifugal Extractor
CRUSHER



FIELDS OF USE

- ◆ Ecology / Depuration
- ◆ Industrial
- ◆ Chemical / Petrochemical
- ◆ Food Industry
- ◆ Zoo-technical

APPLICATIONS

- ◆ Dewatering of sludge
- ◆ Used and Refinery Oil Recovery and Extraction
- ◆ Liquid Treatments
- ◆ Sludge Treatment from Food Industries Process

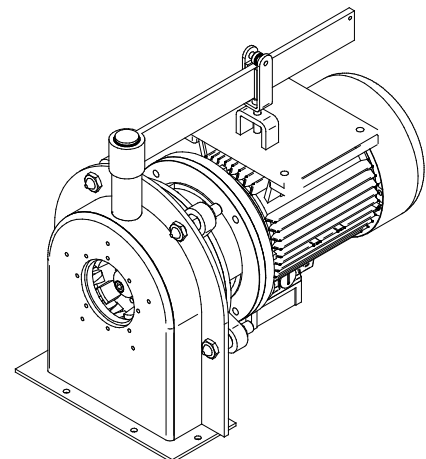
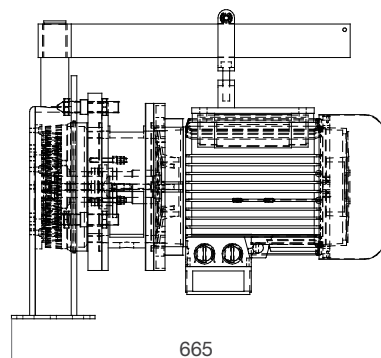
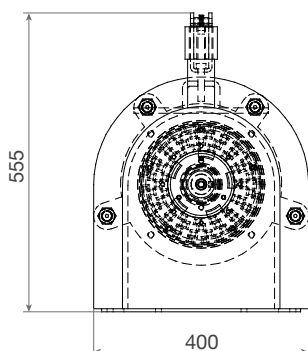
Technical Specification Standard and Optional

Material	Stainless Steel INOX AISI 304
Blades	Ø 300
Distance between disc	Adjustable
Motor	7,5 kW



Main Features, Benefit and Strengths

Crushing by opposing vertical toothed discs. The biological sludge chopping avoid not suitable lumps entering into centrifugal separation process.



ALCI Group
Via dei Mutilati del Lavoro, 105 - 63100 ASCOLI PICENO
T. (+39) 0736 814600 - F. (+39) 0736 811480
www.barigellidecanter.com



NEXOS
SGQ Certificato n° SGQ 9001-074/15
UNI EN ISO 9001:2008