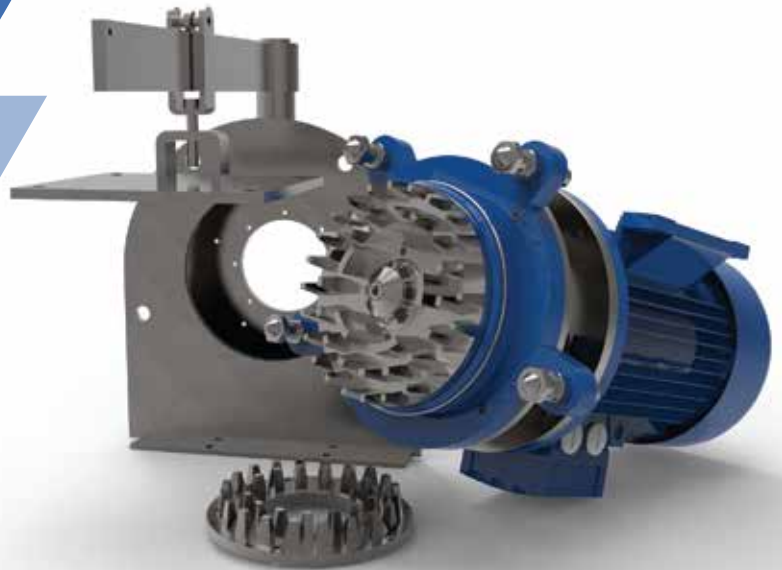




# BARIGELLI DECANTER

Plant and Equipment for the Dewatering of Sludge from  
Wastewater and Industrial Process Centrifugal Extractor  
**CRUSHER**



### FIELDS OF USE

- ◆ Ecology / Depuration
- ◆ Industrial
- ◆ Chemical / Petrochemical
- ◆ Food Industry
- ◆ Zoo-technical

### APPLICATIONS

- ◆ Dewatering of sludge
- ◆ Used and Refinery Oil Recovery and Extraction
- ◆ Liquid Treatments
- ◆ Sludge Treatment from Food Industries Process



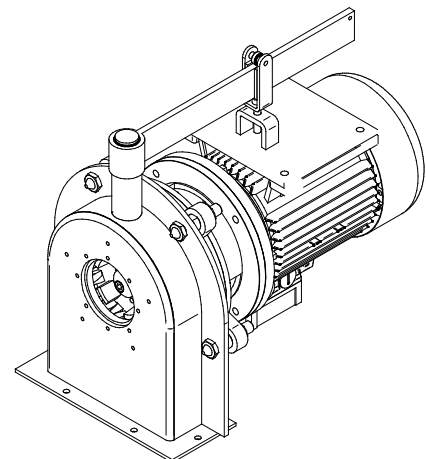
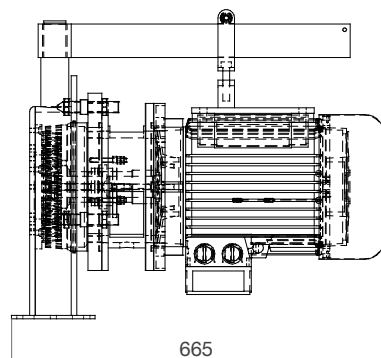
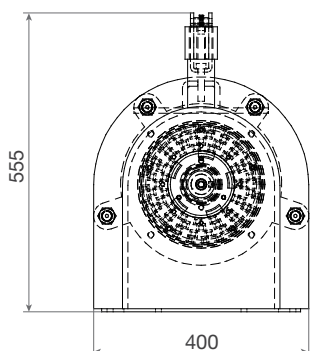
### Technical Specification Standard and Optional

Material	Stainless Steel INOX AISI 304
Blades	Ø 300
Distance between disc	Adjustable
Motor	7,5 kW



### Main Features, Benefit and Strengths

Crushing by opposing vertical toothed discs. The biological sludge chopping avoid not suitable lumps entering into centrifugal separation process.



ALCI Group  
Via dei Mutilati del Lavoro, 105 - 63100 ASCOLI PICENO  
T. (+39) 0736 814600 - F. (+39) 0736 811480  
[www.barigellidecanter.com](http://www.barigellidecanter.com)

